

KStrong® 6 ft. Twin leg 100% tie-off Internal design shock absorbing lanyard with snap hook and rebar hooks (ANSI)

Model: UFL204131

KStrong® 6 ft. Twin leg 100% tie-off Internal design shock absorbing lanyard with one (1) snap hook and two (2) rebar hooks (ANSI)

DESIGN

- Y shaped 1.57 in. (40mm) wide polyester tubular webbing incorporated with energy absorbing (6 ft.) polyester webbing with one end having a steel stamped snap hook (PN-146) and the other two ends having steel snap hooks (PN-167).

WEBBING

Material: Polyester
Width: 1.57 in. \pm 0.04 in. (40mm \pm 1mm)
Breaking Strength: 6000 lbs. (2722kg)

STITCHING THREAD

Material: High-tenacity polyester

METAL COMPONENT

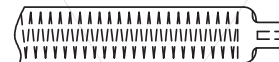
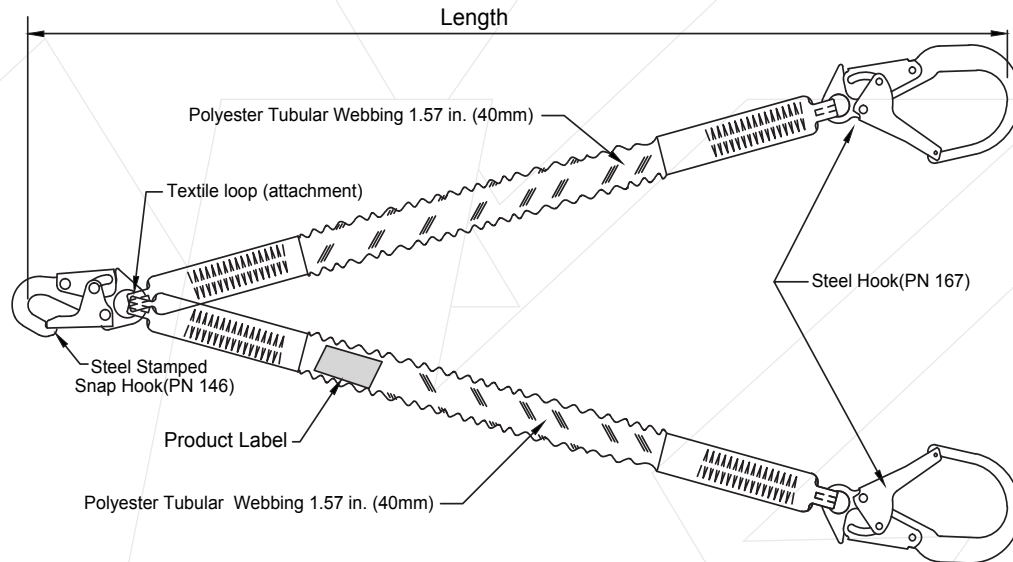
Material: Alloy steel
Plating: Zinc plated
Finish: Shot blasted
Breaking Strength: 5000 lbs. (2268kg)

WEIGHT

6.06 lbs. \pm 0.02 lbs. (2750 gm \pm 10 gm)

RELEVANT STANDARDS

Meets or Exceeds ANSI Z359.13-2013



Stitching Pattern

Meets or Exceeds ANSI Z359.13-2013

LENGTH: 6 ft.